



Polly Owners Group
Rally
Nottingham Society of
Model and Experimental
Engineers
9th September 2017



This rally is kindly being hosted by the Nottingham Society of Model and Experimental Engineers.

Below is some information that may be useful if you are planning to come to the rally which will begin at about 10am.

There will be the presentation of the Polly Rally Trophy for 2017 at lunch time.

Please join us even if you are not yet a member and see what the POG is all about.

A light lunch will be provided for a small charge/donation plus teas and coffees all day. Please let me know if you are planning to attend and how many will be in your group – contact details below. This will allow us to get an accurate number for catering purposes.

Track Information

The NSMEE has three tracks; raised level catering for 3½ & 5" gauges, ground level for 7¼" gauge and a raised, Gauge 1 track.

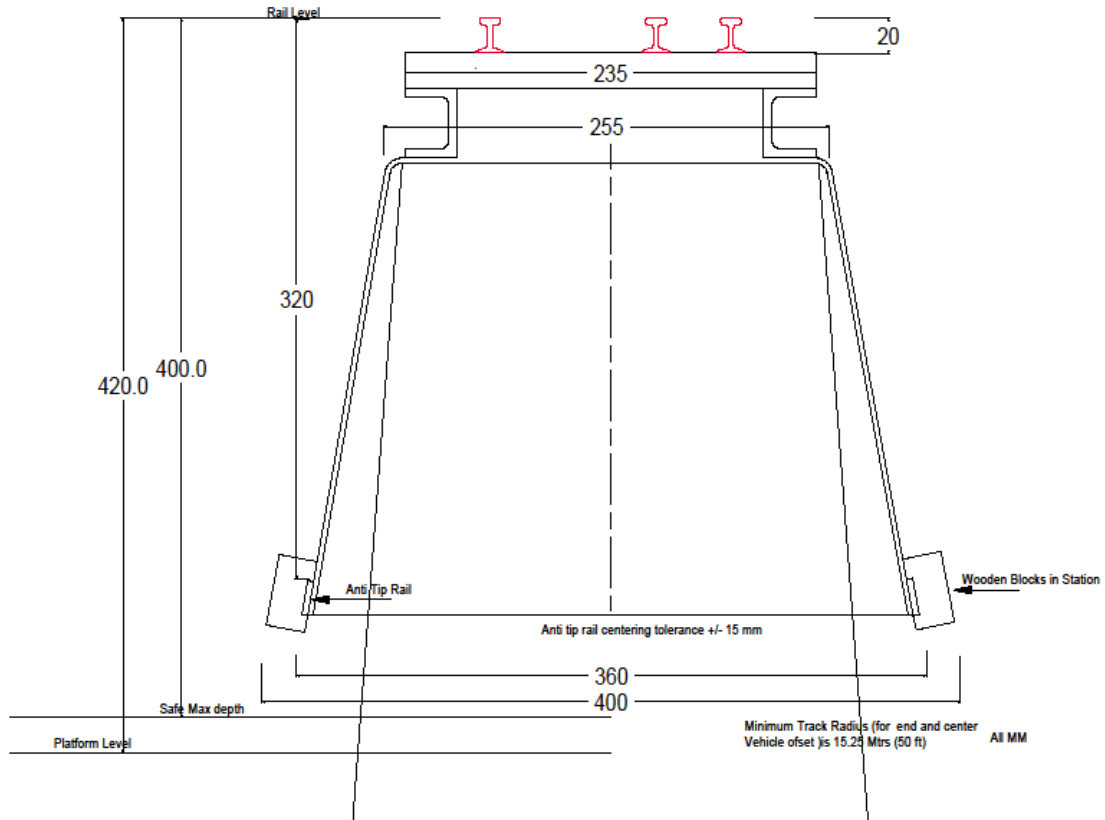
The raised track has a running length of approximately 2270 feet with further sidings, storage and steaming bays and gradients of 1 in 115 at maximum. The ground level track has a running length of approximately 2350 feet with further sidings, storage and steaming bays and gradients of 1 in 85 at maximum.

Both tracks have tunnels, extensive landscaping and full signalling.

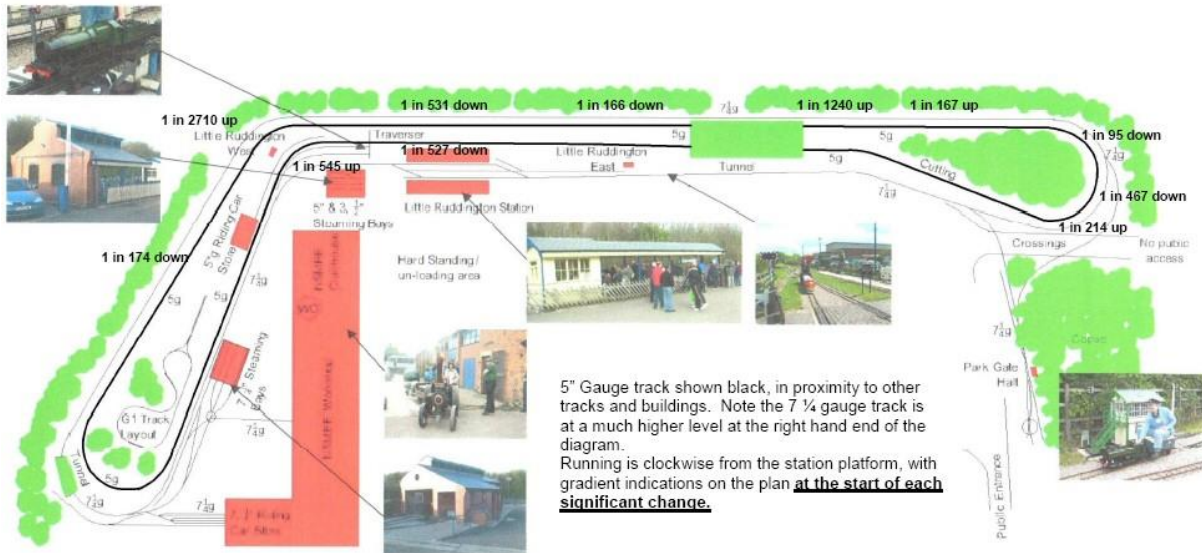
There are covered steaming bays and easy unloading facilities. Please see the following diagram for track information.

There are driving trolleys available at NSMEE but if you are bringing your own please ensure that they meet the gauging requirements of NSMEE.

The coupling height for the NSMEE trolleys is as follows:



Raised Track - Plan Showing Gradients



If you are bringing an engine please don't forget your boiler, home club membership cards and insurance certificates!

Other Information

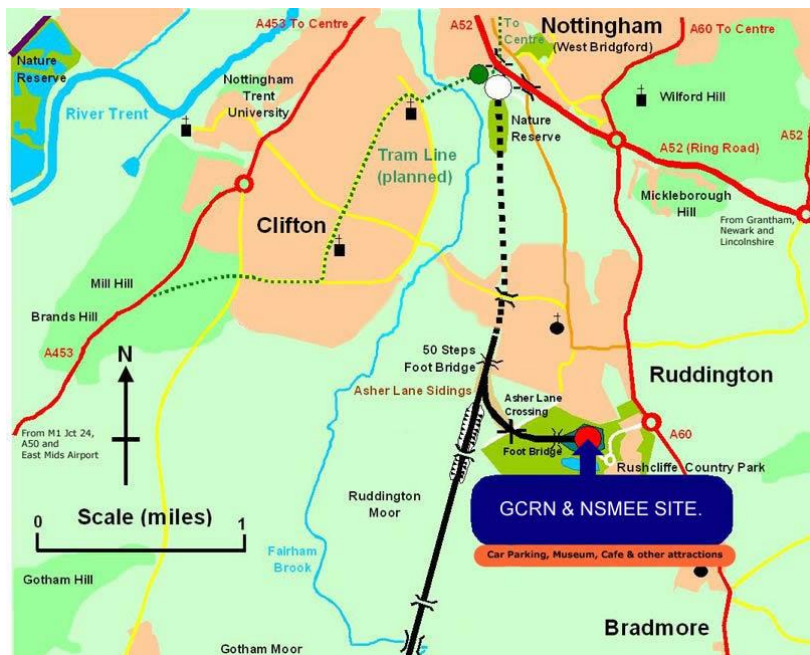
The NSMEE is located in the Nottingham Heritage Centre which is the Nottingham end of the Great Central Railway. There is plenty to see at the Heritage Centre including a Model Railway, Heritage Transport section, Cafe, Visitor Centre, Children's Play Area and a well-stocked Gift Shop. Unfortunately the 10 mile standard gauge railway will not be running September 9th.

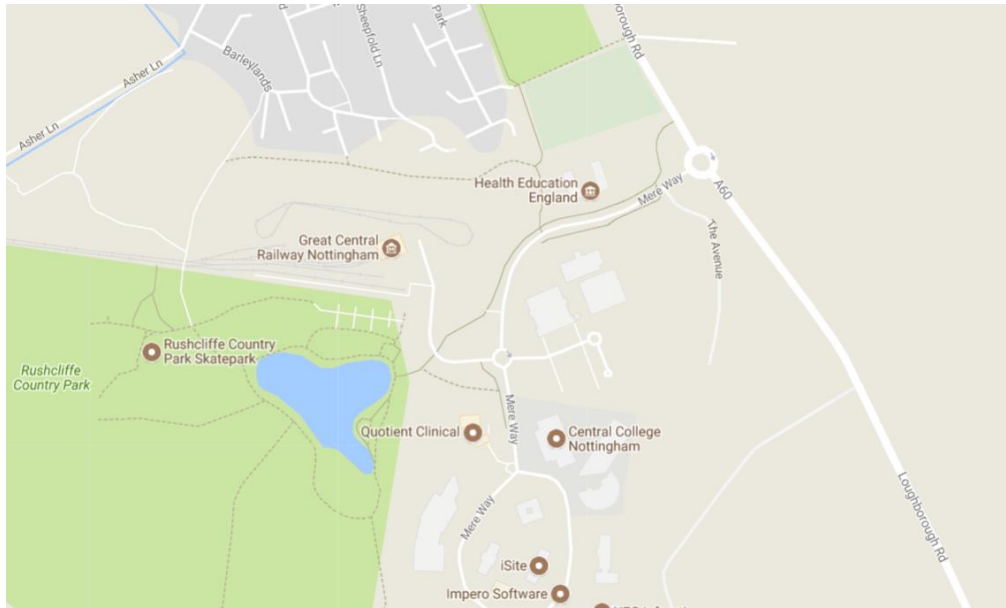
Track Location

The NSMEE is located in the Nottingham Transport Heritage Centre next to Rushcliffe Country Park & Business Park.

To reach the Transport Heritage Centre by car: Follow signs to the "THC" which lies south of the village of Ruddington just off the A60, 5 miles south of Nottingham city centre and 9 miles north of Loughborough. Car Parking is available on site. For those bringing an engine there is a small entrance into the Heritage Centre before the roundabout on Mere Way when approaching from the A60.

The address for SatNav users is Ruddington Fields Station, Mere Way, Ruddington, Nottingham, NG11 6NX.





If you are coming to the Rally please get in touch with Neil Mortimer so that POG have some idea of numbers likely to attend and to plan the catering arrangements.

108 Copthall Road West, Ickenham, Middlesex, UB10 8HT

Neilmortimer@aol.com, Tel: 07900 133201